

Target Group



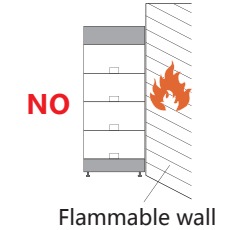
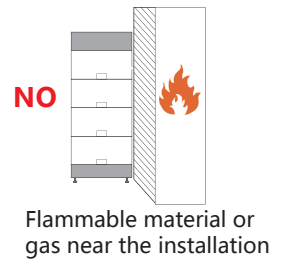
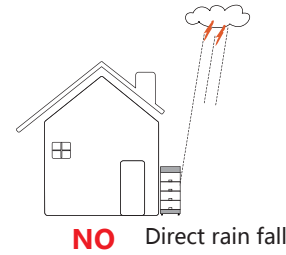
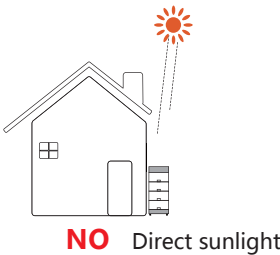
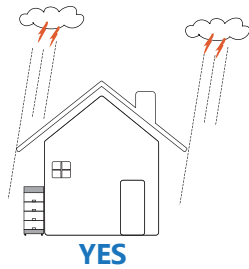
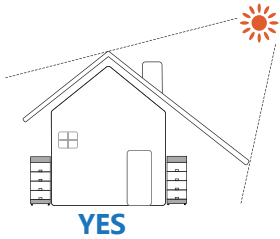
Skilled personnel recognized

This manual and the tasks and procedures described herein are intended for use by skilled workers only.

A skilled worker is defined as a trained and qualified electrician or installer who has all of the following skills and experience:

- Knowledge of the functional principles and operation of on-grid systems.
- Knowledge of the dangers and risks associated with installing and using electrical devices and acceptable mitigation methods.
- Knowledge of the installation of electrical devices.
- Knowledge of and adherence to this manual and all safety precautions and best practices.

Installation environment requirements



Tools

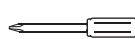
Allen key



Wire clamp



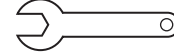
Phillips screwdriver



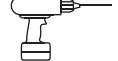
levelling instrument



open-ended wrench



churn drill



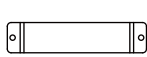
Packing list

Packing of BCU+BASE

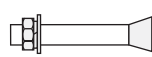
① M5 x4



② Wall-mounted x1



③ Expansion bolt M6x3



④ Sealing plug black x3



⑤ Sealing plug white x3



Packing of B-Plus H

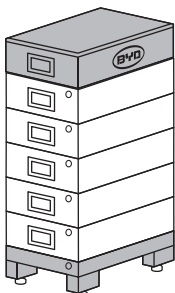
⑥ Sealing plug white x2



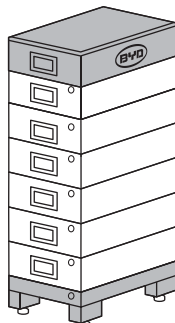
Overall structure

* If connected to the SMA inverter, n = 5-8 Modules
Unless SMA & BYD updates the information.

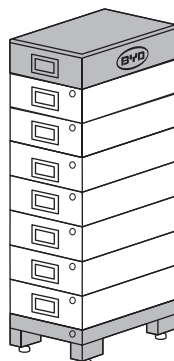
n=5, 6.4KWh



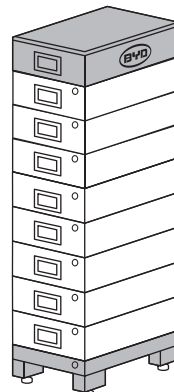
n=6, 7.7KWh



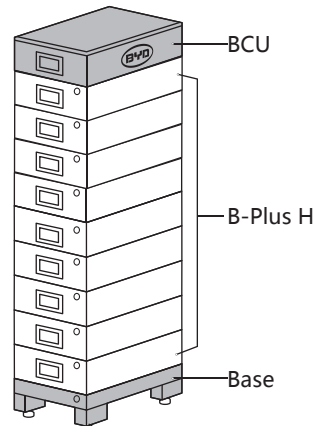
n=7, 9.0KWh



n=8, 10.2KWh

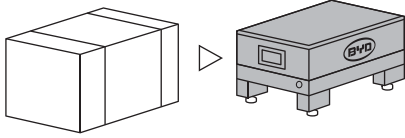


n=9, 11.5KWh

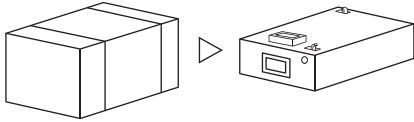


1. Unpacking

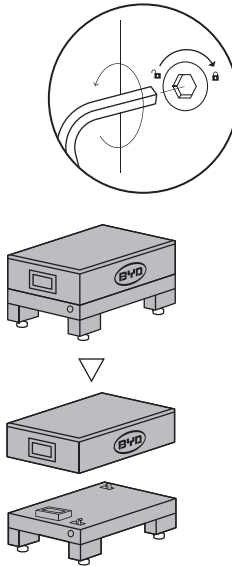
BCU + Base



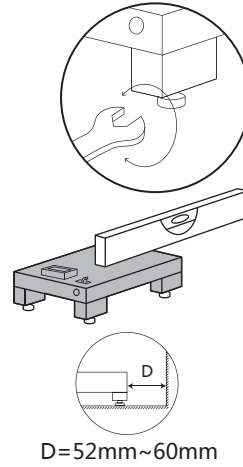
n=5-9 Module



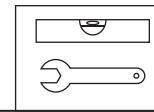
2. Separation base and BCU



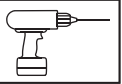
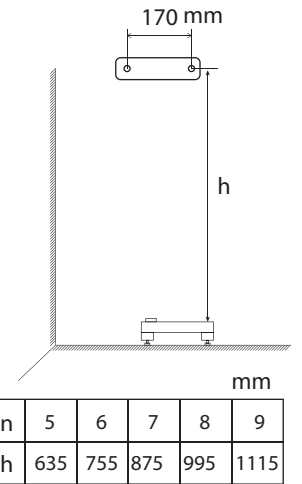
3. Balance



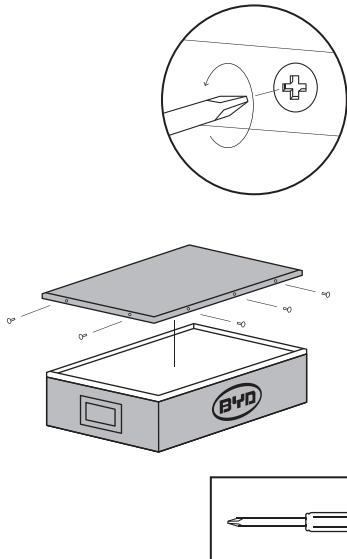
D=52mm~60mm



4. Install wall-mounted

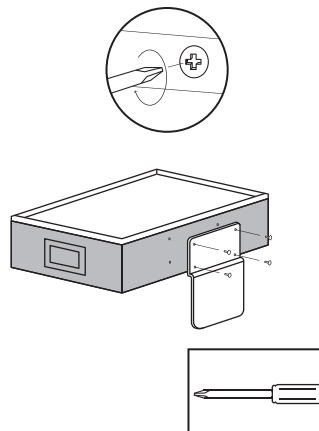


5. Open the cover of BCU



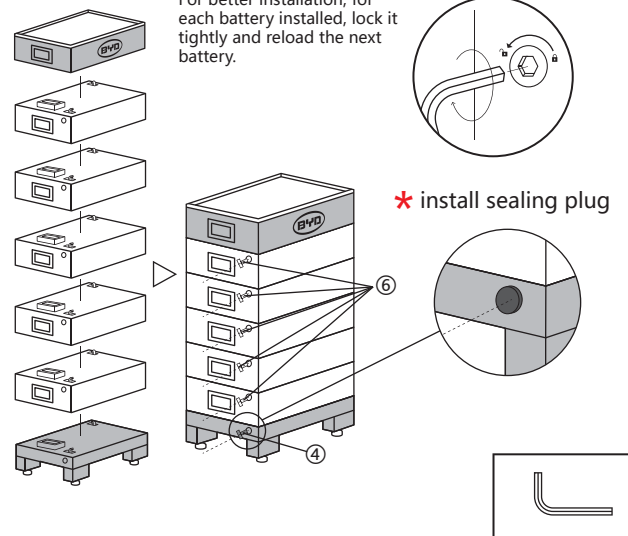
6. Install rack of BCU

Skip this step if the rack was installed when it was shipped out of the factory.

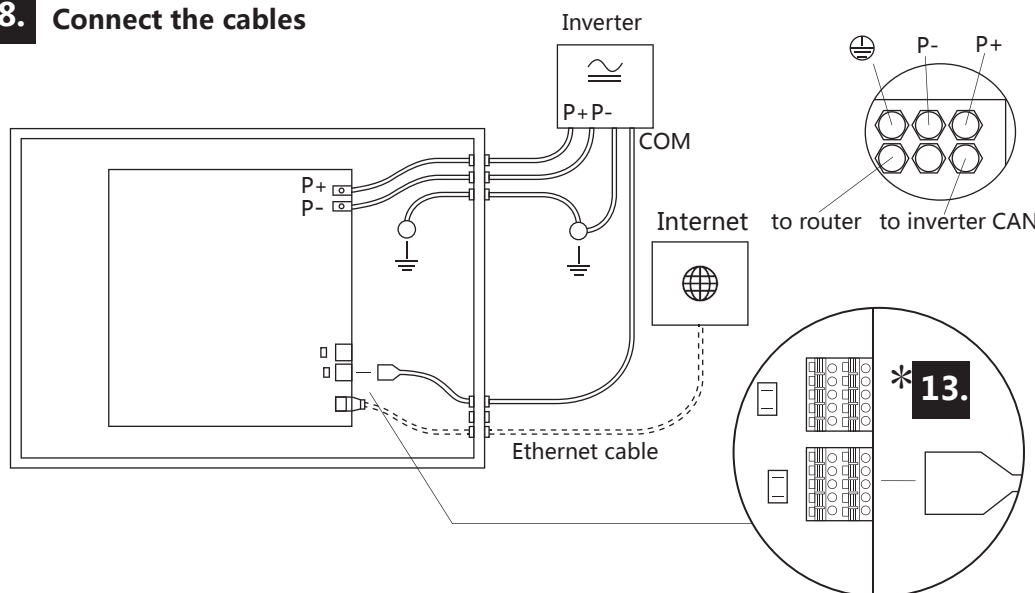


7. Clock battery module and BCU

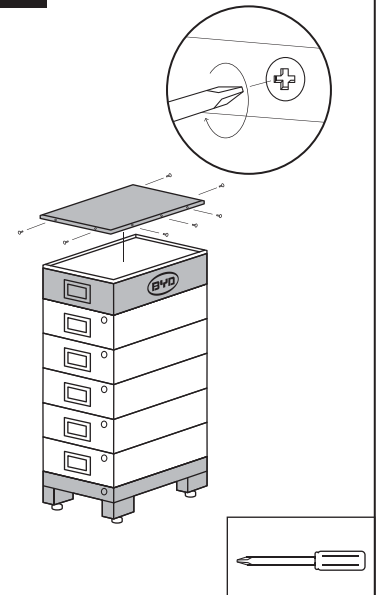
⚠ For better installation, for each battery installed, lock it tightly and reload the next battery.



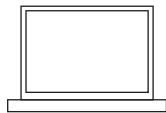
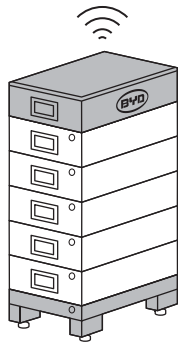
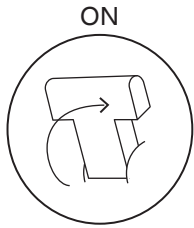
8. Connect the cables



9. Install the cover



10a. Connecting with WIFI



WLAN

BYDxxx

network 1

network 2

BYDxxx

WLAN password

123456789

cancel login

192.168.5.1

192.168.5.1

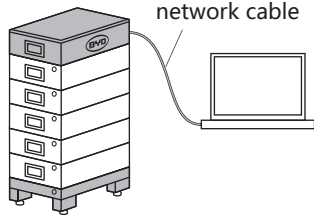
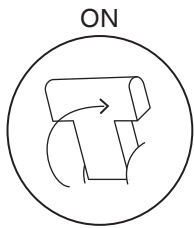
BYDxxx

Username installer

Password byd@12345

cancel login

10b. Connecting through ethernet cable



- Connect the network cable
- Set your computer IP into a static IP

IP address:192.168.6.10
Subnet mask:255.255.255.0

Setting method reference computer system setting method

192.168.6.1

192.168.6.1

BYDxxx

Username installer

Password byd@12345

cancel login

11. User information setting

Battery-Box HV

- Privacy Policy
- Wizard
- Home
- Device Information
- Installation Config
- Statistics Information
- Current Alarm
- History Alarm
- Run Date
- Set Password
- Update
- Inverter Information
- Reboot and Restore



Time and Date * Hour : Min : Day : Month : Year :

Next



Server IP Address *

Series Battery Conts *

Inverter *

Country *

Asterisk(*)Indicates required fields

! This parameter is important.
If set up incorrectly, it can cause the system to fail to work.

Last

Next



Reboot System...
Please wait about 50 seconds.

12. Update the firmware

Battery-Box HV

- Privacy Policy
- Wizard
- Home
- Device Information
- Installation Config
- Statistics Information
- Current Alarm
- History Alarm
- Run Date
- Set Password
- Update
- Inverter Information
- Reboot and Restore

Update

Please input the file :

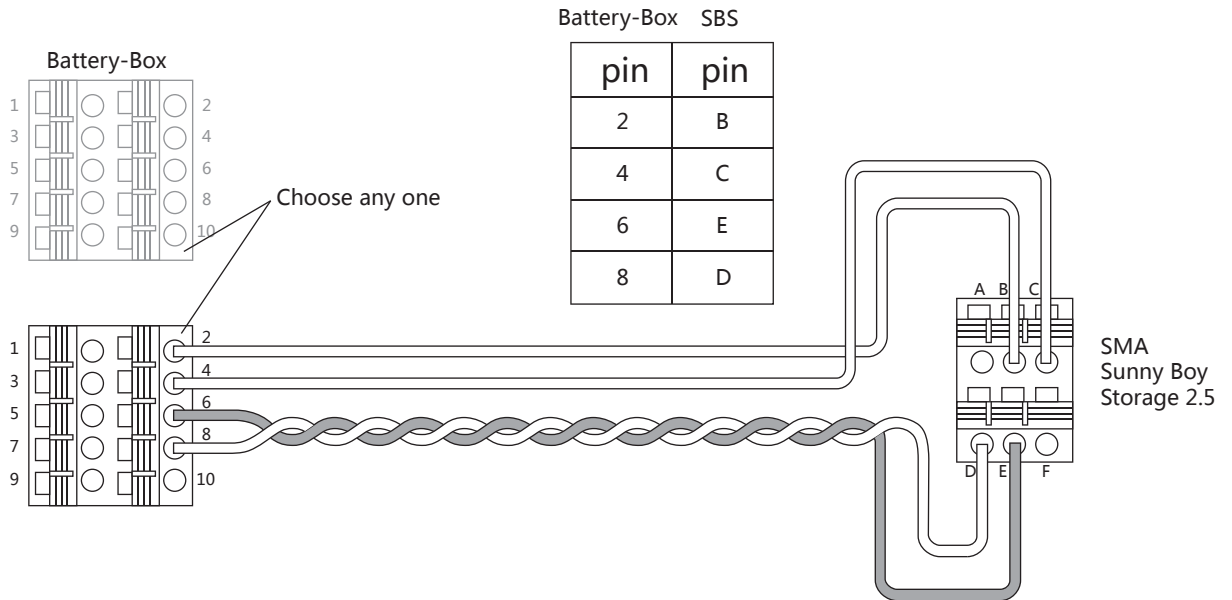
If there is any new version on the server, clicking will update the system.

Please input file:

Upload

- ☆ Please update the latest firmware after installation.
- Download the firmware: [www.eft-systems.de\(Support->Downloads\)](http://www.eft-systems.de(Support->Downloads))
- <http://alpspower.com.au/download/>

13a. SMA Sunny Boy storage 2.5 / 3.7 / 5.0 / 6.0



BYD requires setting the following parameters for the inverter:

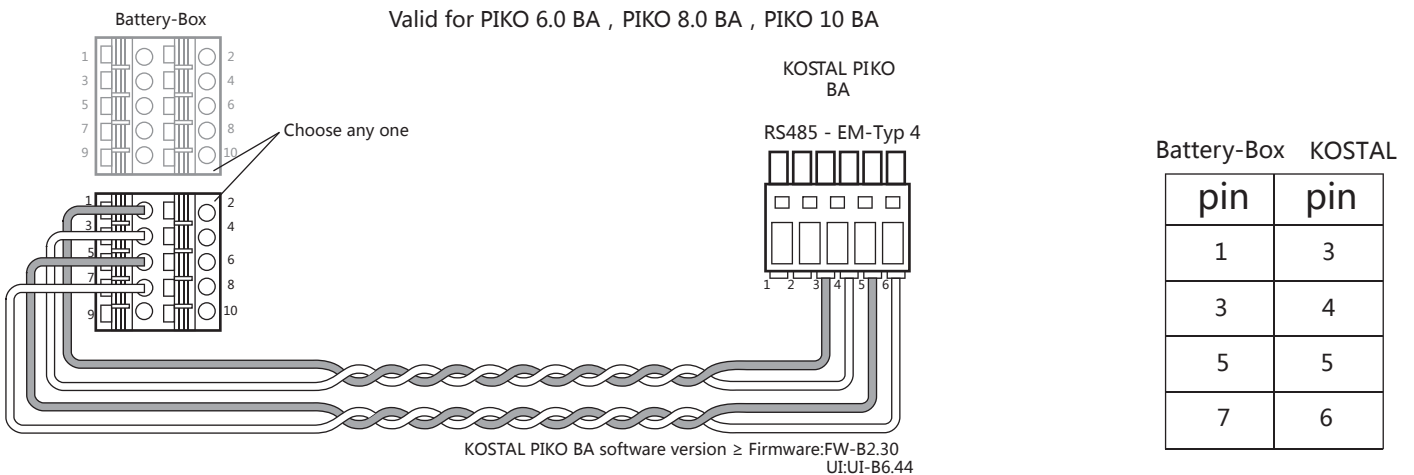


No.	SMA SBS Parameter	
1	Battery-Areas of application-Lower Imt deep disch.Protect area prior shutdown Battery-Nutzungsbereiche-Untere Grenze des Tiefenladenschutzbereichs vor Abschaltung	2%
2	Battery-Areas of application-Minimum width of deep discharge protection area Battery-Nutzungsbereiche-Minimale Breite des Tiefenladenschutzbereichs	3%
3	Battery-Areas of application-Area width for conserving battery sate of charge Battery-Nutzungsbereiche-Breite des Bereichs zur Erhaltung des Batterieladezustands	3%
4	Battery-Areas of application-Minimum width of own consumption area Battery-Nutzungsbereiche-Minimale Breite des Tiefenladenschutzbereichs	100%

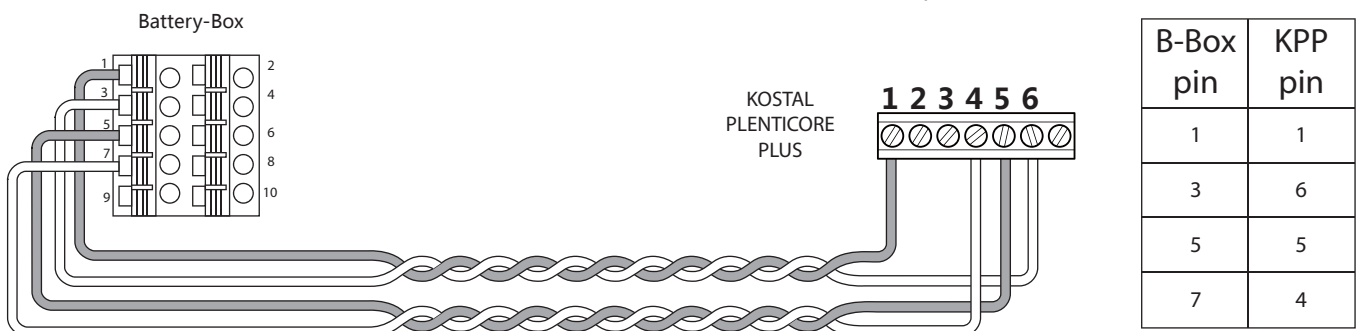
SMA Sunny Boy Storage 2.5 software version ≥ SBS2.5-V2.04.23

13b. KOSTAL PIKO BA

Valid for PIKO 6.0 BA , PIKO 8.0 BA , PIKO 10 BA

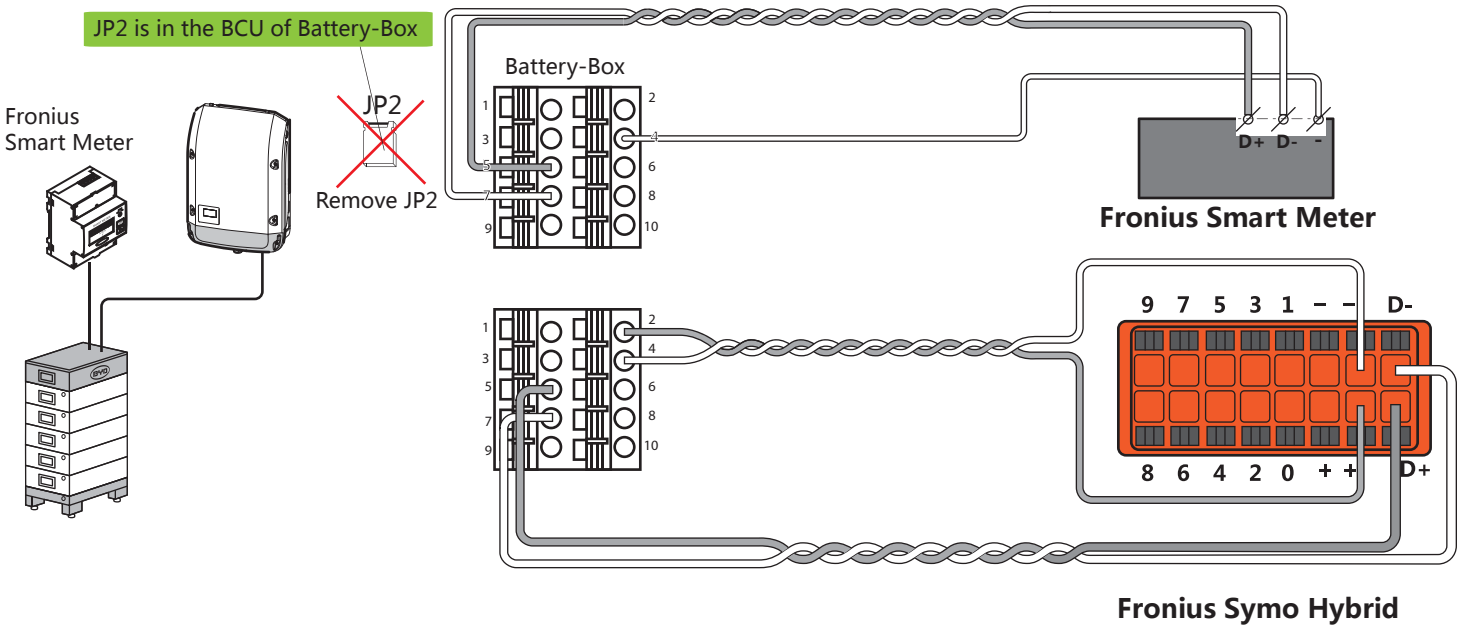
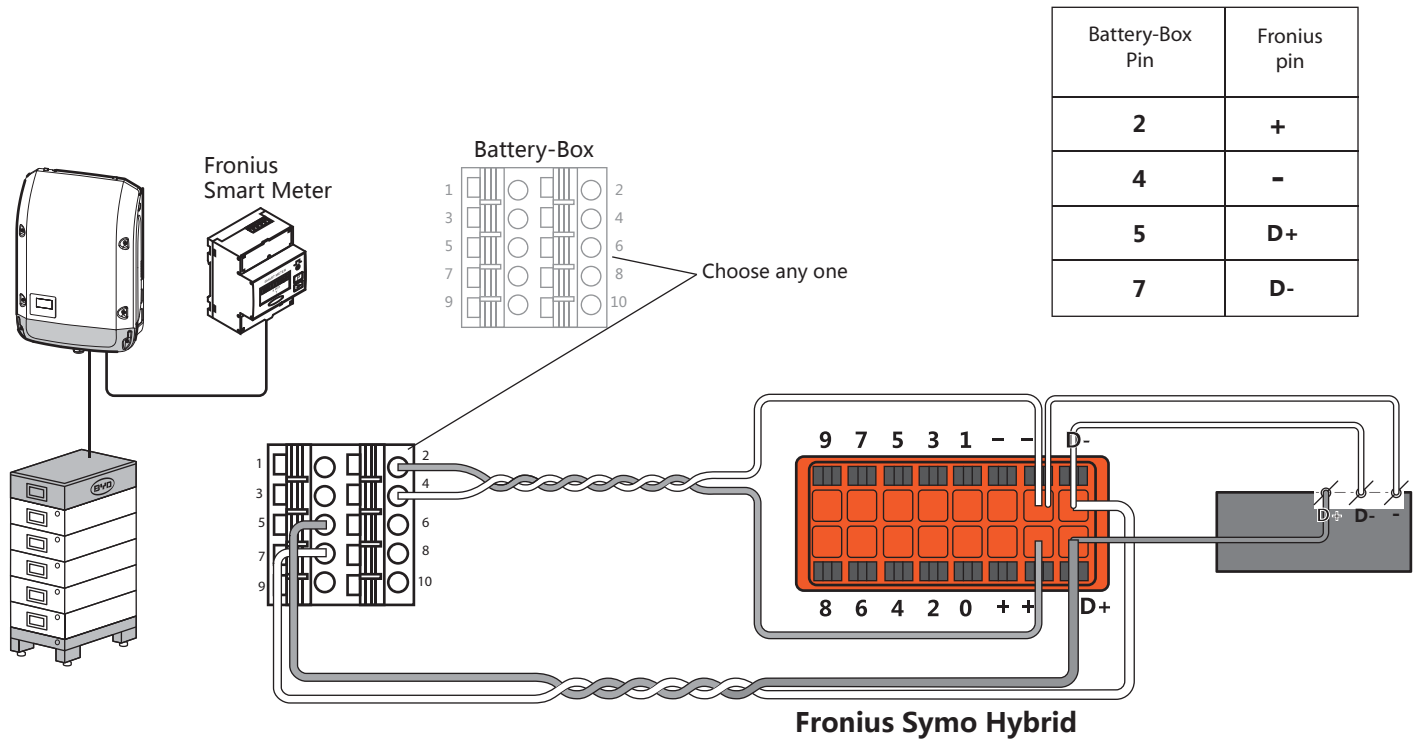


KOSTAL PLENTICORE plus



13c. Fronius Symo Hybrid

Please refer to the inverter installation manual for detailed wiring.



Diese Anleitung stellt eine verkürzte Aufbauhilfe dar, und ersetzt nicht die original Anleitung der Battery-Box, erhältlich auf www.eft-systems.de oder www.byd.com. Installation darf nur von Fachleuten durchgeführt werden. Achtung Hochvoltsspeicher! Bei unsachgemäßer Handhabung kann Gefahr für Leib und Leben entstehen. Für weitere Informationen oder Kontakt: www.eft-systems.de

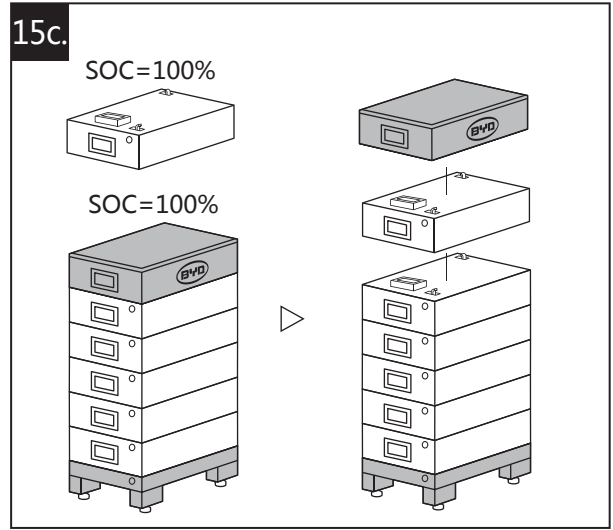
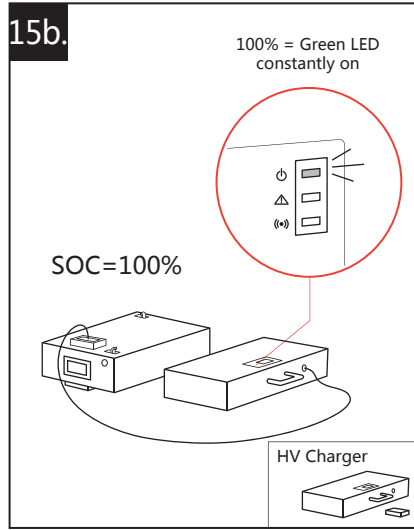
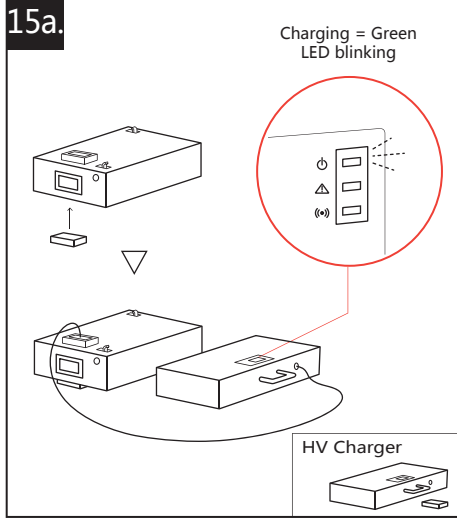
This manual is a shortened assistance for the installation of the Battery-Box HV and does not replace the original manual, which can be found on www.eft-systems.de or <http://http://alpspower.com.au/> / Australia : <http://alpspower.com.au>. The installation must be carried out by a qualified expert. Attention, High Voltage Storage! Improper handling can cause danger and damage.

Battery-Box HIGH VOLTAGE EXTENSION

NO CHARGER

14. Charge or discharge the original battery module so that its SOC becomes 30% to 40%, and add another battery module. The actual SOC difference will be automatically balanced in the next 2 weeks or so. (Battery-Box capacity may not be enough during this time, this is normal)

WITH CHARGER



15d.

Battery-Box HV

Privacy Policy

Wizard

Home

Device Information

Installation Config

Statistics Information

Current Alarm

History Alarm

Run Date

Set Password

Update

Inverter Information

Reboot and Restore



Time and Date * Hour : Min : Day : Month : Year :

Next



Server IP Address *

Series Battery Conts *

Inverter *

Country *

Asterisk(*)Indicates required fields



This parameter is important.
If set up incorrectly, it can cause the system to fail to work.

Last

Next

n=5-8 Modules
m=1-4 new
Up to a maximum of 9



Reboot System...
Please wait about 50 seconds.